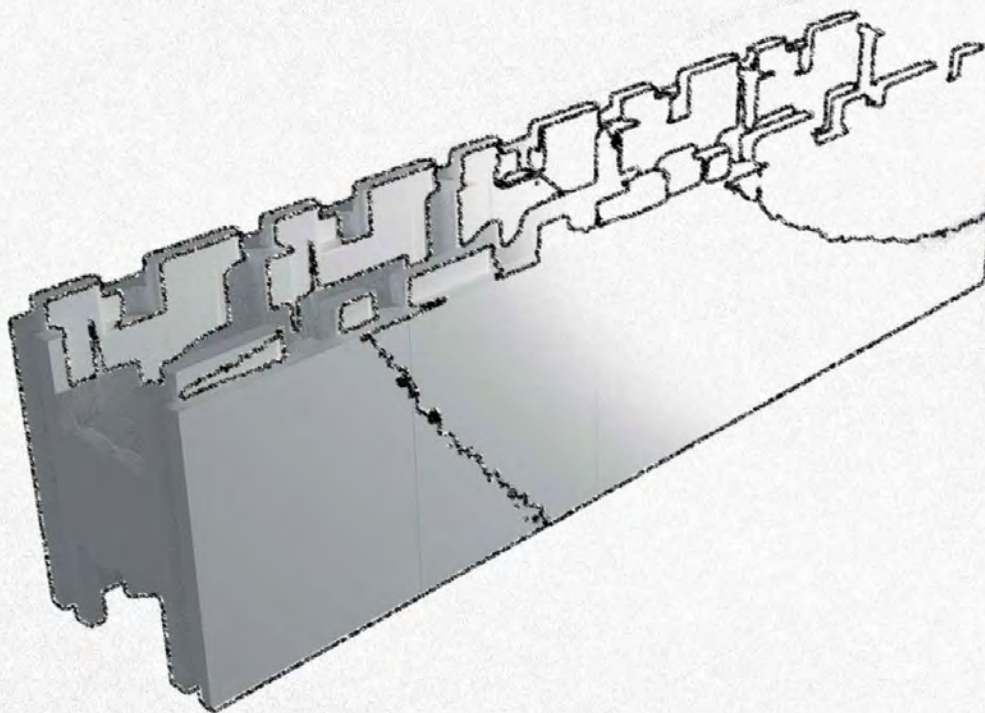


Ocean SYSTEM BRICK

PUTTING
INTO THE
RIGHT FRAME

FROM THE SILHOUETTE TO THE FINISHED STONE

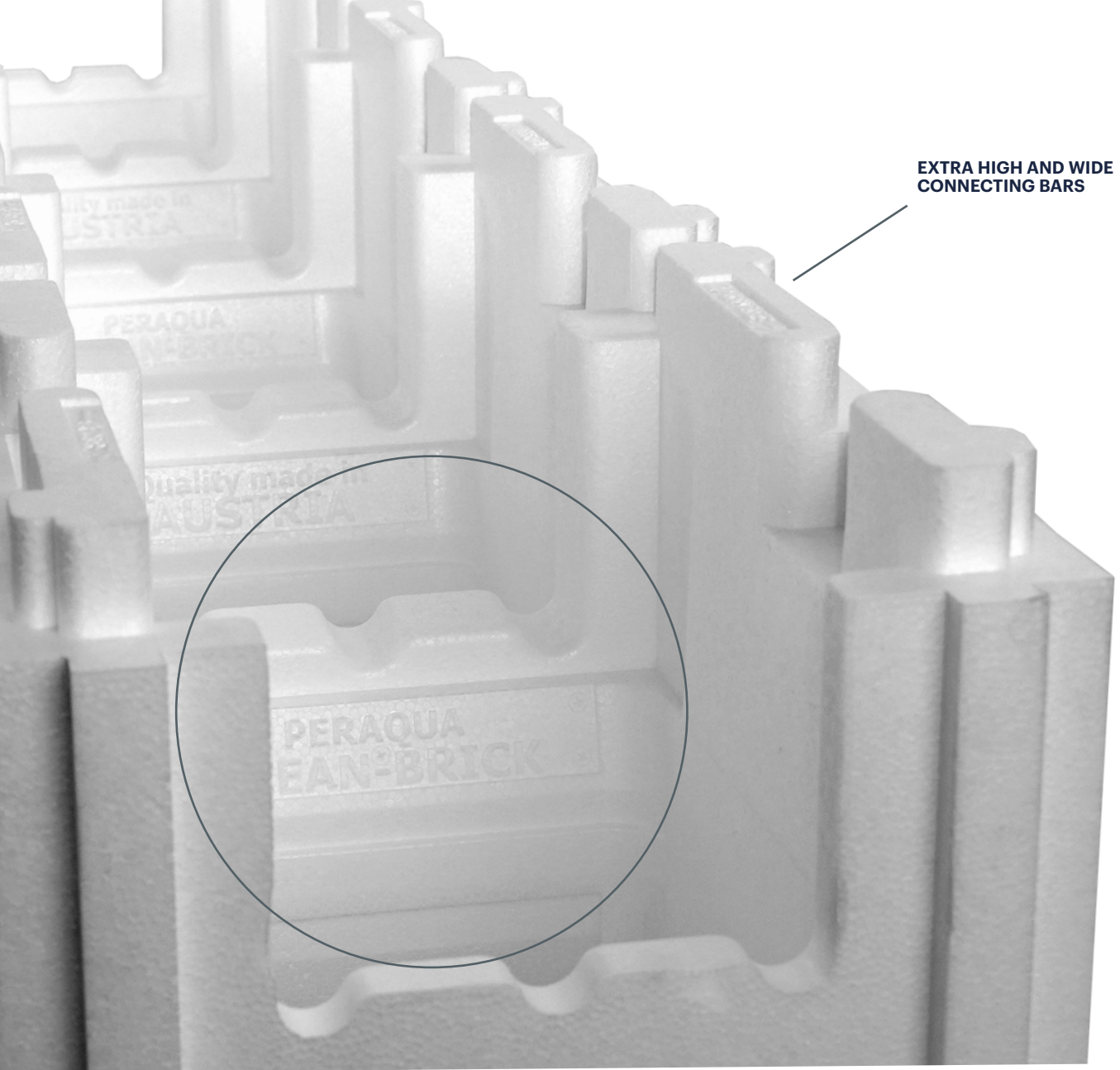
Ocean® Brick is a system brick for the basic pool construction in individual sizes. With a specially developed design, we want to meet all requirements for pool construction. Based on a commercial standard brick, we have optimized Ocean® Brick for maximum safety, fast installation and practical handling.



100% DESIGNED, DEVELOPED AND MADE IN AUSTRIA

EXCELLENT HIGH-QUALITY

Ocean® Brick and Ocean® insertion parts are made of expanded polystyrene (EPS). The material protects, insulates and finds its place in the construction industry thanks to its great stability and malleability.



SOLIDE CONNECTION

A common criteria for system bricks are unstable inner bars. When developing Ocean® Bricks, one of the basic principles was to redesign the inner bar in order to reduce the risk of breakage when filling with concrete.

The solution was an 82 mm reinforced inner bar with stress-optimized transitions to the side walls and integrated slopes to support the concrete distribution.

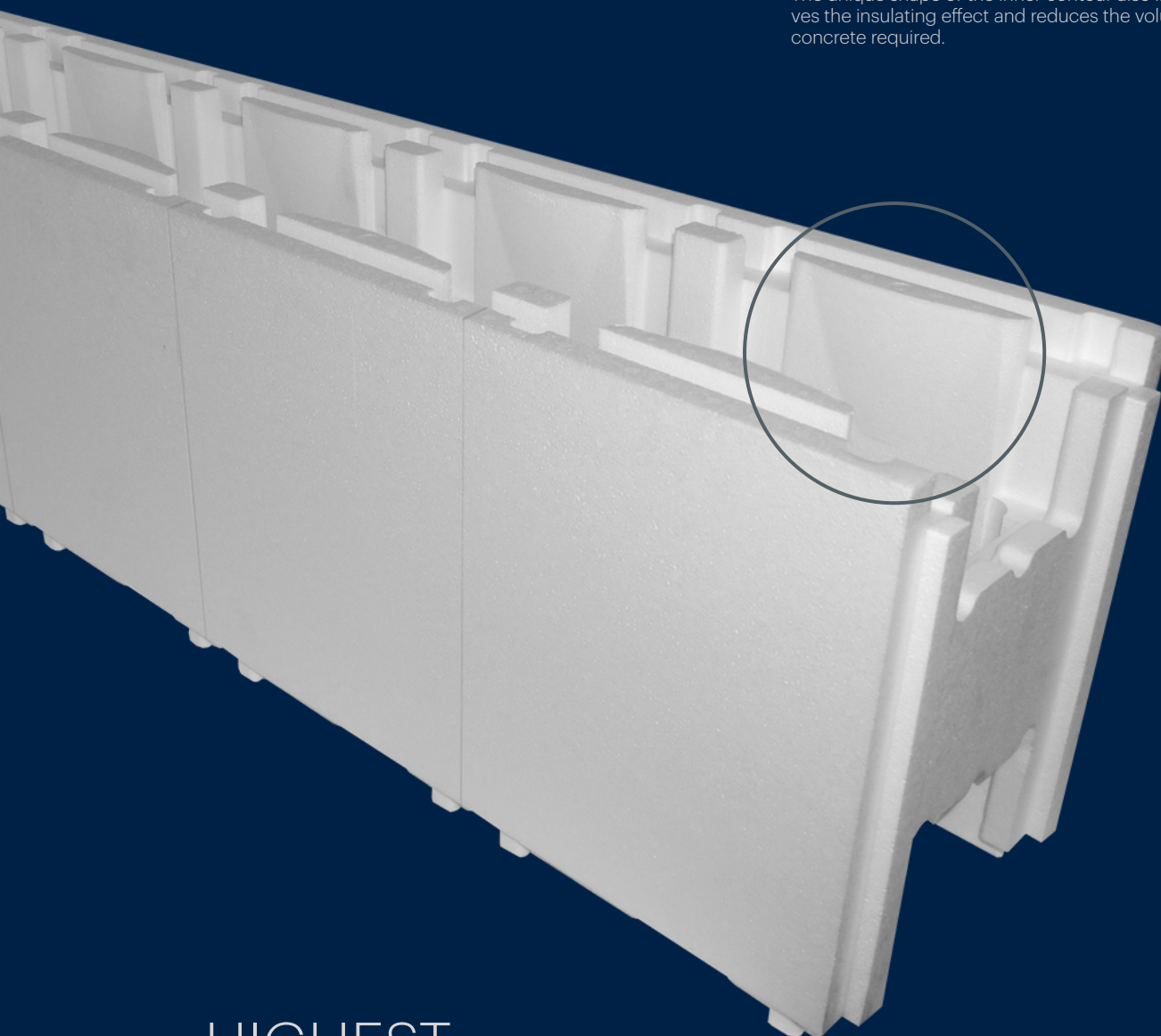
Another principle in the development of Ocean® Bricks was a easy and quick handling when installing. Three integrated guide gutters give the reinforcement iron sufficient support. Two frontal connecting bars and grooves facilitate the dry connection between the Ocean® Bricks (tongue-and-groove system).

Extra high and wide connecting bars guarantee an optimal and firm connection for more safety during installation.

SHAPED INNER CONTOUR

A common criteria for common system bricks are breaks when filling with concrete. The shaped inner contour of Ocean® Bricks increases the stability in the area of the tongue-and-groove connection.

The unique shape of the inner contour also improves the insulating effect and reduces the volume of concrete required.



HIGHEST INDIVIDUALITY

Often system bricks have a predefined size, making it difficult to create an individual pool.

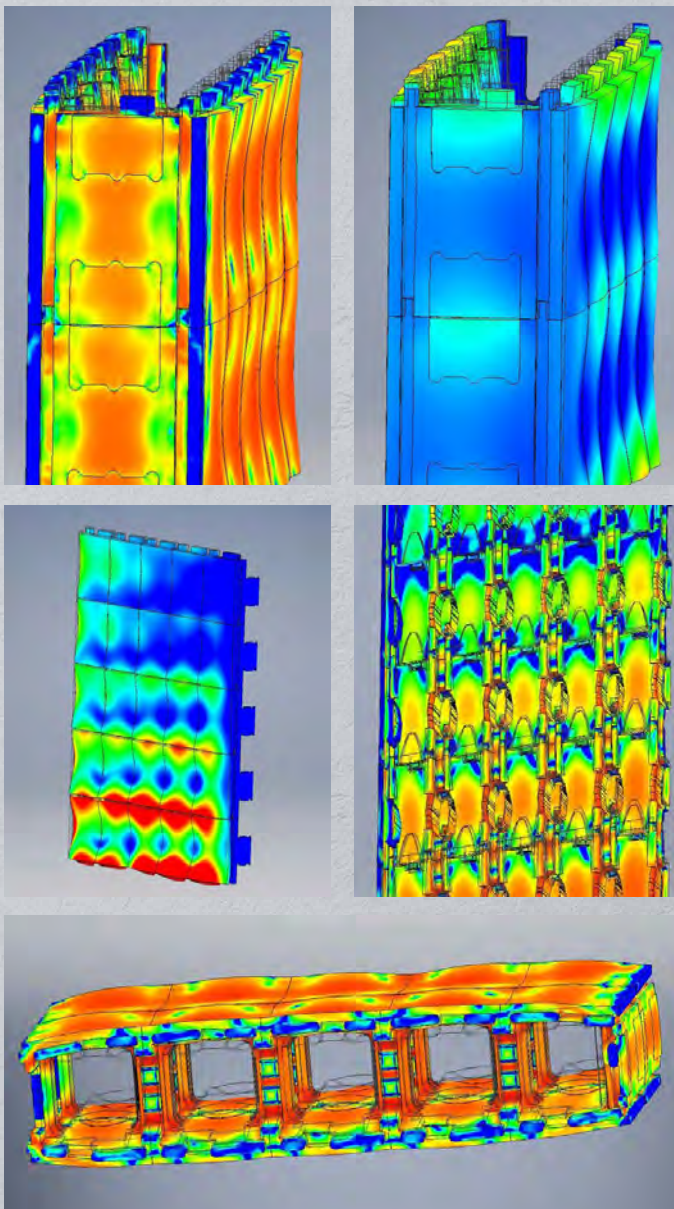
An Ocean® Brick has a length of 1250 mm and is designed to be divisible in 250 mm sections. The integrated notch or markings facilitate the division of the bricks on site.

FINITE ELEMENTE METHOD

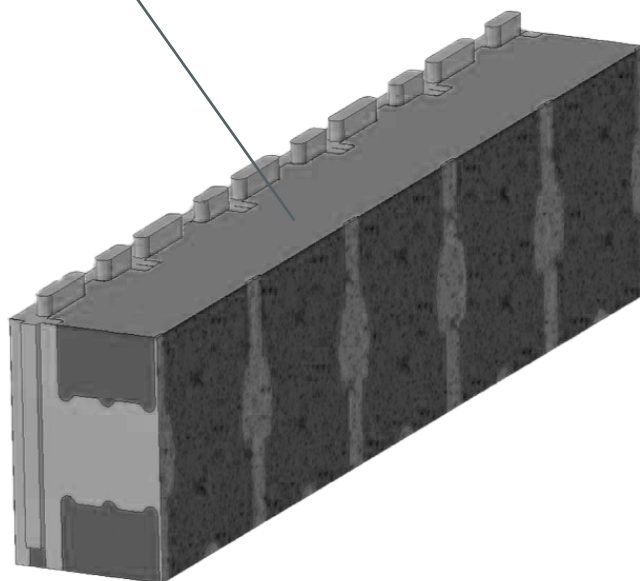
Peraqua® does not leave stability to chance. Using a finite element method (FEM), algorithms calculate the overall behavior of the Ocean® Brick under pressure from the behavior of individual sub-areas. In this way, critical tension points could be found and prevented in advance through appropriate constructive measures.

The deformations when filling with concrete were also simulated and analyzed using mathematical calculations. This guarantees an above-average strength of the Ocean® Brick system bricks.

These graphics show a strength analysis during filling with concrete. The possible deformations are shown enlarged a thousand times.



CONCRETE VOLUME 54 liter



QUANTITY TABLE

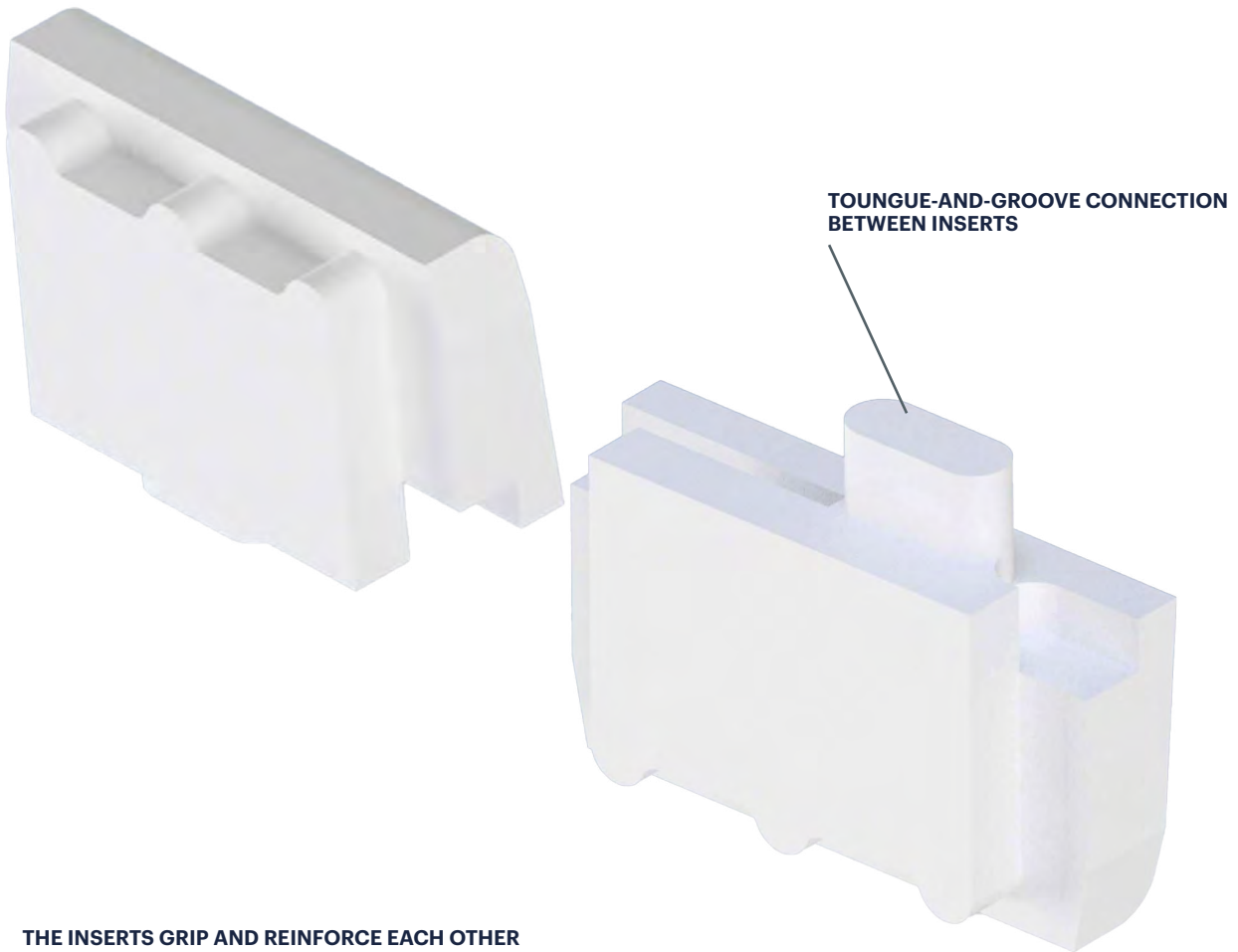
| Pool Size m | Required pieces* | ISO Items m ² | EPS Plates** m ² | Lining m ² | Edge lfm |
|----------------|---------------------|-----------------------------|--------------------------------|--------------------------|-------------|
| 5 x 3 x 1,5 | 68 | 25,5 | 15 | 40,5 | 16 |
| 5 x 3,5 x 1,5 | 72 | 27 | 17,5 | 44,5 | 17 |
| 5 x 4 x 1,5 | 76 | 28,5 | 20 | 48,5 | 18 |
| 6 x 3 x 1,5 | 76 | 28,5 | 18 | 46,5 | 18 |
| 6 x 3,5 x 1,5 | 80 | 30 | 21 | 51 | 19 |
| 6 x 4 x 1,5 | 84 | 31,5 | 24 | 55,5 | 20 |
| 7 x 3 x 1,5 | 84 | 31,5 | 21 | 52,5 | 20 |
| 7 x 3,5 x 1,5 | 88 | 33 | 24,5 | 57,5 | 21 |
| 7 x 4 x 1,5 | 92 | 34,5 | 28 | 62,5 | 22 |
| 8 x 3,5 x 1,5 | 96 | 36 | 28 | 64 | 23 |
| 8 x 4 x 1,5 | 100 | 37,5 | 32 | 69,5 | 24 |
| 9 x 4 x 1,5 | 108 | 40,5 | 36 | 76,5 | 26 |
| 9 x 5 x 1,5 | 116 | 43,5 | 45 | 88,5 | 28 |
| 10 x 4 x 1,5 | 116 | 43,5 | 40 | 83,5 | 28 |
| 10 x 5 x 1,5 | 124 | 46,5 | 50 | 96,5 | 30 |

For each pool size 40 pcs. Ocean® inserts are required.

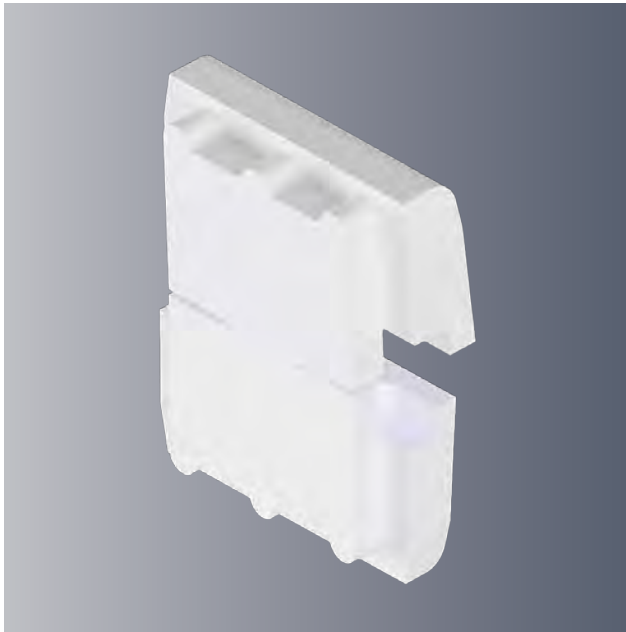
Static calculations regarding necessary iron quantities are to be provided by a qualified contractor, as these static requirements may vary from pool location (e.g.: level site or slope, groundwater, etc.).

* The quantities given do not include any additional elements. The quantities of elements required for the construction of the technical shaft and access stairs must be calculated and ordered separately.

** non-slip version for the pool floor area, 100 x 500 x 5 cm



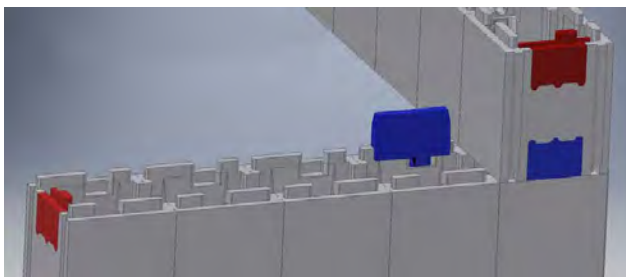
THE INSERTS GRIP AND REINFORCE EACH OTHER



STRONG INSERTS

When connecting the individual Ocean® Bricks, a tongue-and-groove connection is used. This reduces the risk of squeezing out when filling with concrete.

- The strong tongue-and-groove connections with a height of 25 mm and a width of 20 mm interlock and reinforce each other
- The inserts grip into the next stone, even at 90 ° corners



THE INSERTS ALSO ENGAGE WITH THE BRICKS AT ANGLE JOINTS

TECHNICAL DATA

Temper Ocean® Brick

Prod.No.

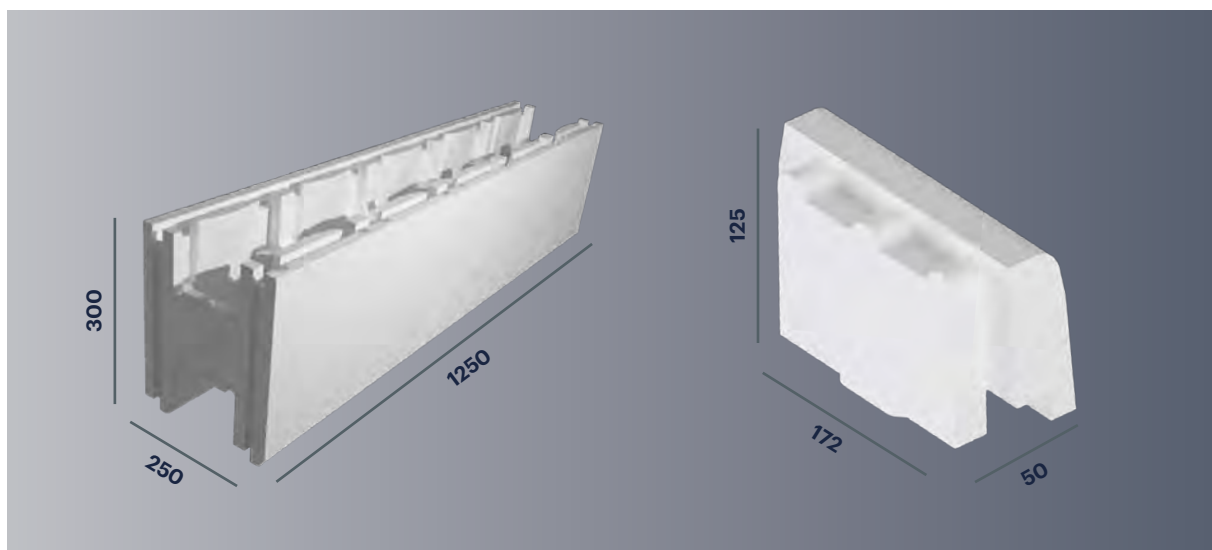
| | |
|--------|------------------|
| EPS 25 | Prod.No. 7301114 |
| EPS 30 | Prod.No. 7301115 |
| EPS 35 | Prod.No. 7301116 |
| EPS 40 | Prod.No. 7301117 |
| EPS 45 | Prod.No. 7301118 |

Temper Ocean® Insert

Prod.No.

| | |
|--------|------------------|
| EPS 25 | Prod.No. 7301119 |
| EPS 30 | Prod.No. 7301120 |

DIMENSIONS in mm



Standard temper EPS25 and EPS30 of Ocean® Brick available from stock St.Valentin, temper EPS 30/40/45 available on request.

Supplied on disposable pallets, one pallet contains 36 bricks (for Ocean® Brick 300 mm).

Prices on request.

Calculations and info on other pool sizes on request.

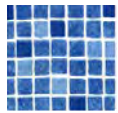


Personalization of the inscription on the inner bar possible on request

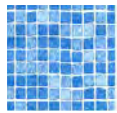
MATCHING POOL LINERS

Swimming pool liners by Peraqua® are coated with acrylic and 1,5 mm fabric-reinforced. Liners of the FLEX assortment are provided with an improved surface coating, which significantly increases UV protection and facilitates cleaning.

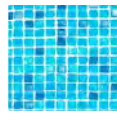
MOSAIC



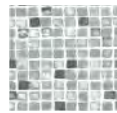
sapphire blue



azur blue



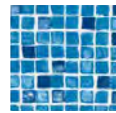
turquoise blue



grey



gold



ozean blue

DELUXE



dark blue



light blue



black



dark grey



light grey



dark green



caribbean green



sand



white

ELVA FLEX



sand



white

STONE FLEX



grey



light grey



sand



silver

TILE FLEX



slate



clay

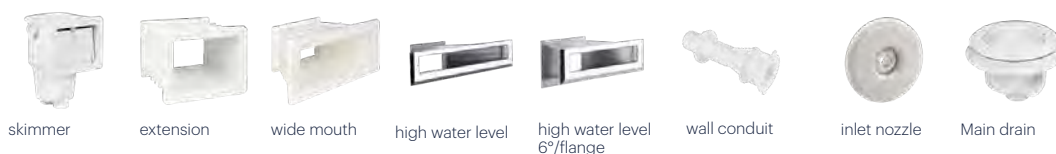


marble

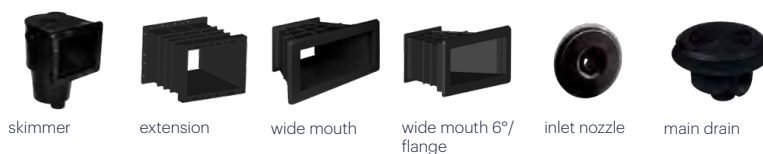
MATCHING WHITE GOODS

The unique modular system enables the precise configuration of design and color of your pool components exactly according to customer wishes. The parts are optimally designed for installation in Ocean® brick pools.

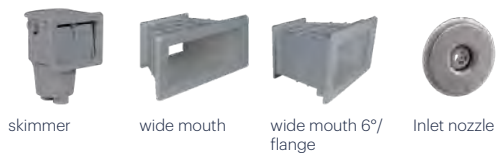
WHITE/VAA



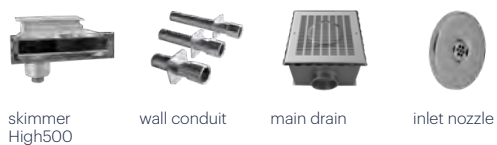
BLACK



GREY



**STAINLESS
STEEL**



YouTube video
Ocean® white goods

PERAQUA®

**Peraqua Professional
Water Products GmbH**

Handelsstraße 8, 4300 St. Valentin

T. +43 7435/58488-0
info@peraqua.com



shop.peraqua.com

PERAPLAS DEUTSCHLAND GMBH

Regensburger Ring 12, 91154 Roth
T. +49 9171 9677-1200, F. +49 9171 9677-2209
office.de@peraplas.com

PERAPLAS ČESKO s.r.o.

25101 Říčany-Jazlovice, Zděbradská 62
T. +420 323 63 76-73, F. +420 323 63 76-72
office.cz@peraplas.com

Member of **PRAHER
GROUP**